

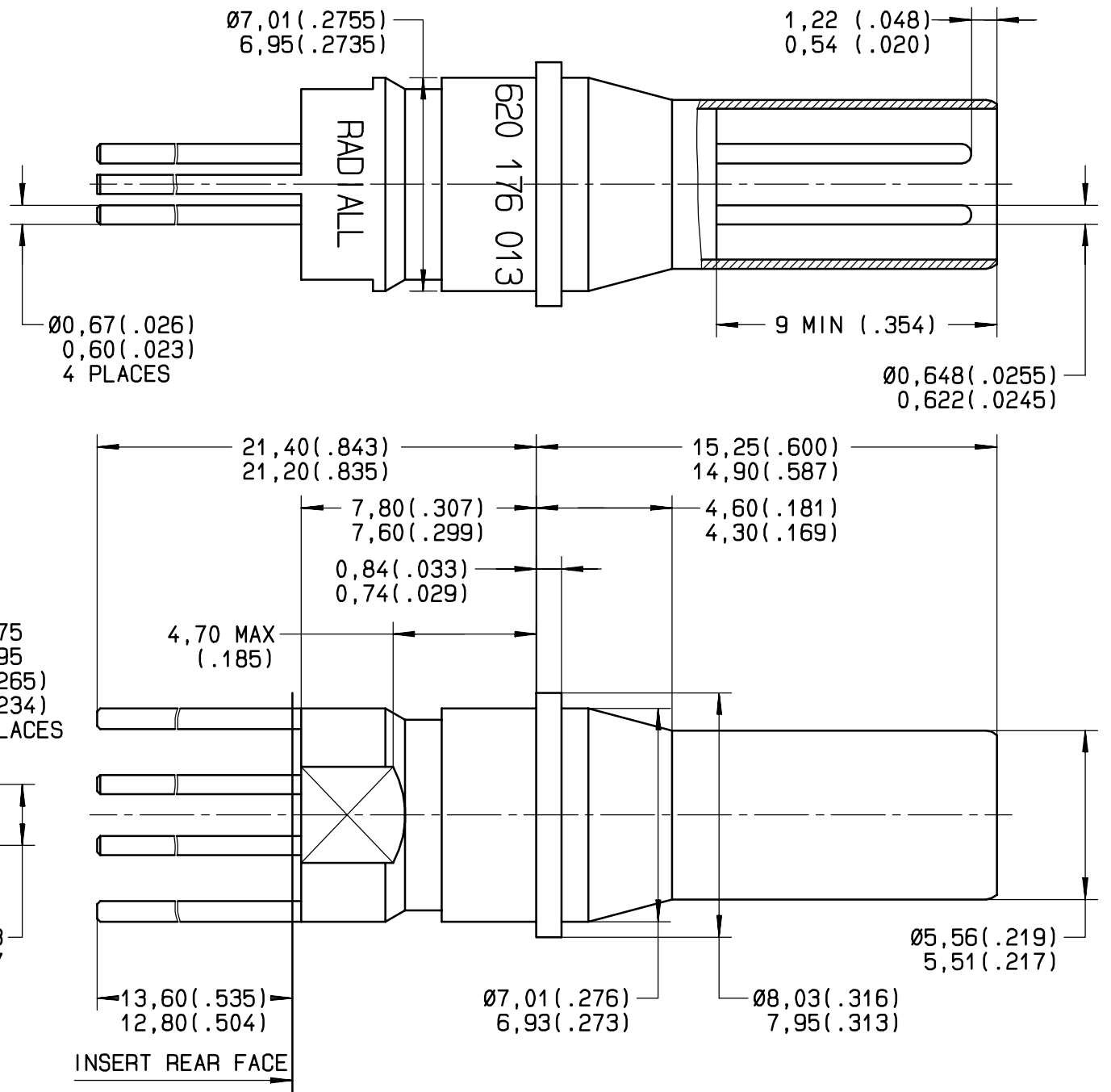


Series  
NSX

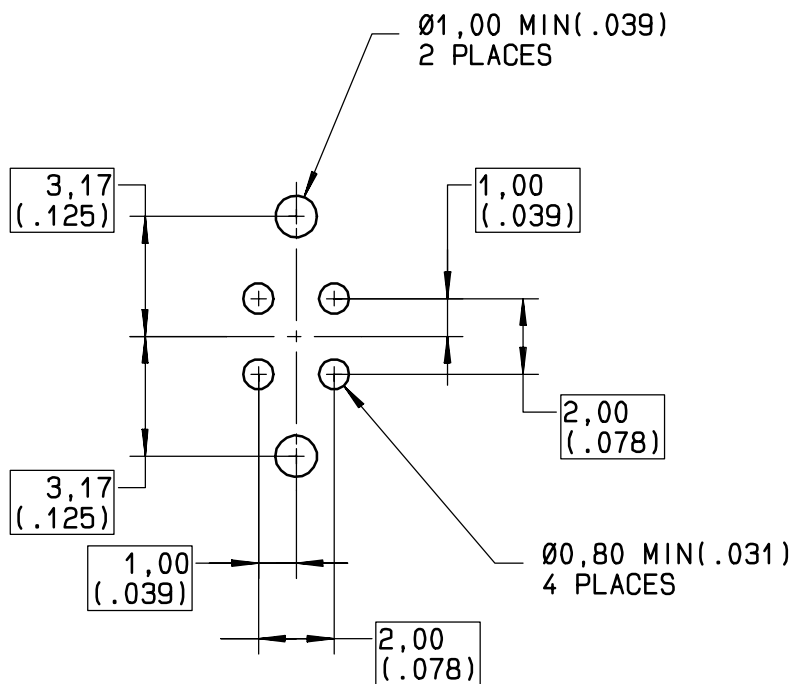
SIZE 8 FRONT RELEASE. FRONT REMOVABLE  
PC POST PIN QUADRAX CONTACT

Issue:  
28 MAY 02

Page  
1 / 1



**RECOMMENDED  
PC DRILL PATTERN**



**\*MATERIAL:**

- OUTER CONTACT: BRASS PER QQ-B-626
- CENTER CONTACT: BODY LEADED NICKEL COPPER (C97)
- DIELECTRICS: FPTE PER ASTM-D-1710 OR EQUIVALENT

**\*FINISH:**

- ALL METAL PARTS:  
PLATING .00005 INCH OF GOLD PER MIL-G-45204 TYPE I OR II  
GRADE C OR D CLASS 1 OVER NICKEL PER QQ-N-290

**\*EXTRACTION TOOL:**

- RADIAL P/N: 282 549 009

This information is given as an indication. In the continual goal to improve our products, we reserve the right to make any modifications judged necessary.

4112-9610

CREATION	.	.	.	.
PEN: M010004039E	.	.	.	.
NOM: MACARI	.	.	.	.
DATE: 28 MAY 02	.	.	.	.
APPR.: .	.	.	.	.
Issue	Revisions		Name	Approved